

red kite

IMPORTANT KEEP FOR FUTURE REFERENCE

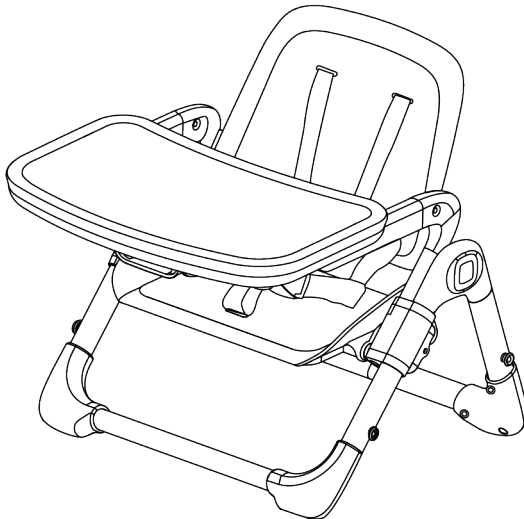
Read these instructions carefully before use and keep them for future reference.

Your child's safety may be affected if you do not follow these instructions.

Instruction Leaflet

Feed Me Nom Nom

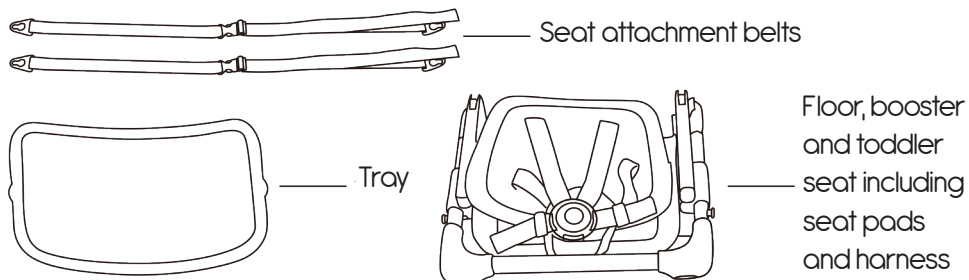
Floor, Booster & Toddler Seat



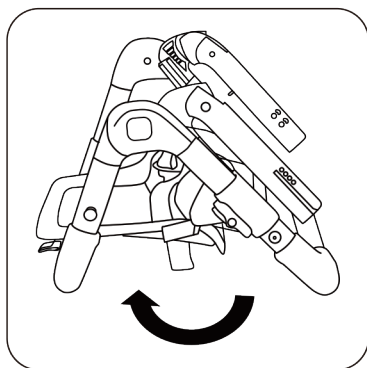
FLOOR & BOOSTER MODE: This product is intended for children able to sit unaided (minimum 6 months) and up to 36 months or a maximum weight of 15 kg.

TODDLER SEAT MODE: This product is intended for children from 12 months up to 36 months or a maximum weight of 15 kg.

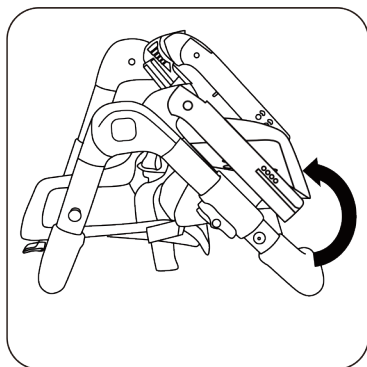
PARTS LIST



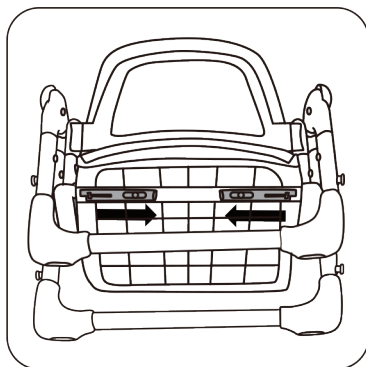
ASSEMBLY INSTRUCTIONS



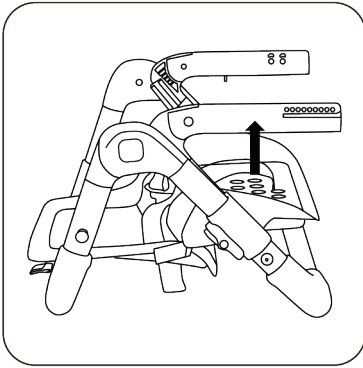
1. Open the front and rear legs.



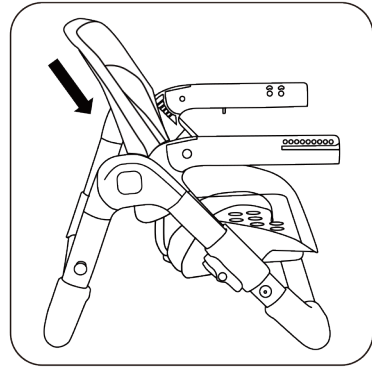
2. Lay the seat flat.



3. Ensure the catches on the bottom of the seat click in place.

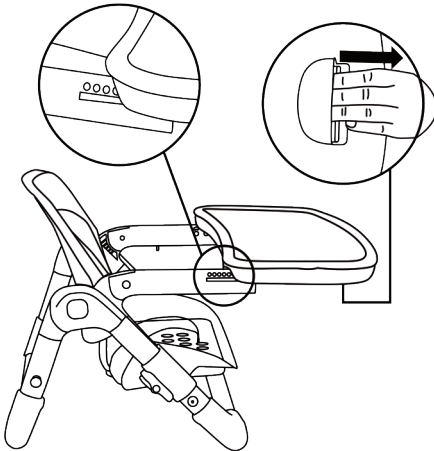


4. Raise and lock the armrests in place.

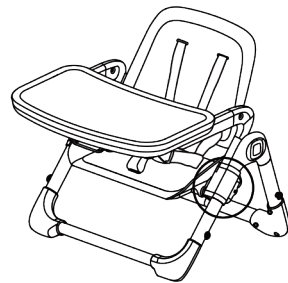


5. Align the sides of the backrest with the slots in the armrests joints and push down until they lock in place.

TO OPERATE IN FLOOR SEAT MODE



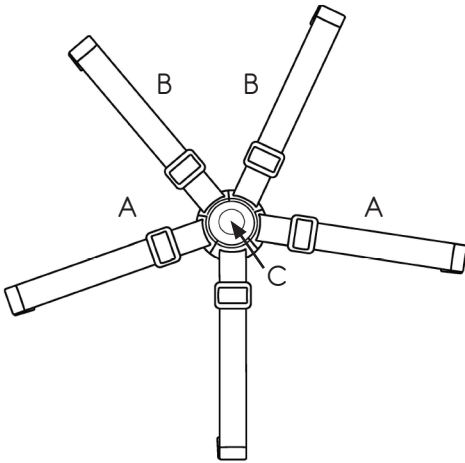
TO ATTACH AND OPERATE THE TRAY
6. Squeeze the release catch on the bottom of the tray and slide it on to the armrests. Release the catch to lock it in place. There are two different positions to choose from.



HEIGHT ADJUSTMENT
7. Squeeze the buttons on each side of the height adjuster to raise or lower the height of the seat. There are three different heights to choose from.

The product can now be used a floor seat for children from 6 months up to 15 kg.

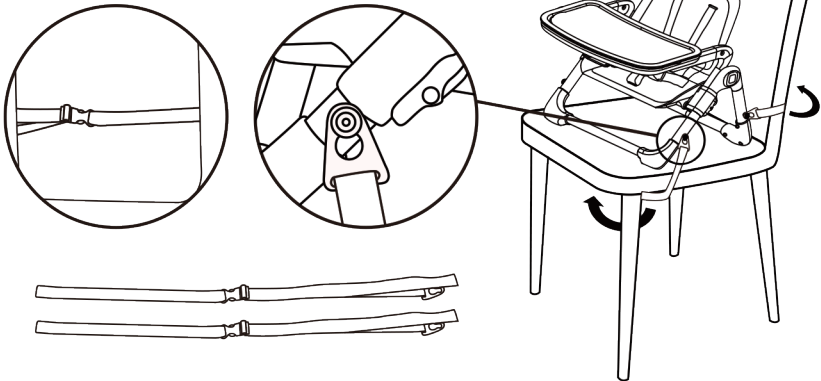
TO SECURE AND ADJUST THE HARNESS



TO SECURE AND ADJUST THE HARNESS
8. Connect straps A and B together and insert into centre buckle C. Press the button in the centre to release the straps. Use the sliders on each strap to obtain a secure fit.

TO OPERATE IN BOOSTER SEAT MODE

WARNING Use only a full size adult chair with a back.
Never use the booster seat on an unstable chair or on a stool or on a bench.



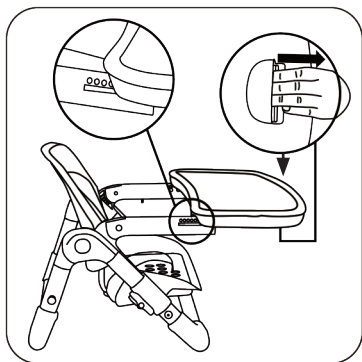
9. Place the booster seat on to a chair centrally. Ensure the feet of the booster seat are fully supported on the chair.

Attach the end of one belt to the attachment points on the front legs, pass the loose end under the seat of the adults chair and attach the other end of the belt. Pull the belt tight so all slack is taken up.

Repeat the process for the rear legs by passing the belt around the back of the adults chair and securing both sides of the booster.

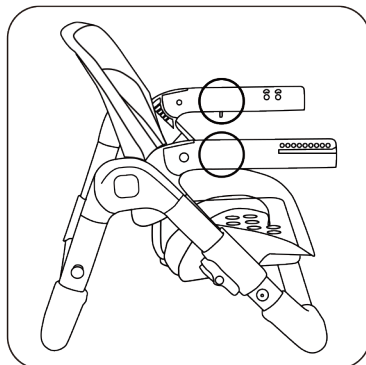
The product can now be used a booster seat for children from 6 months up to 15 kg.

TO OPERATE IN TODDLER SEAT MODE



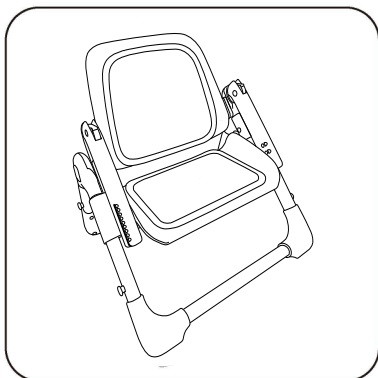
TO REMOVE THE TRAY

10. Squeeze the catch on the bottom of the tray and detach it from the seat.



TO FOLD THE ARMRESTS

11. Press the buttons on the underside of the armrests to fold them down.

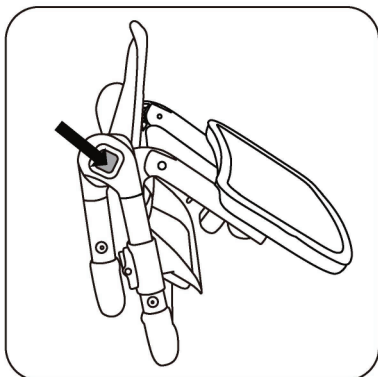


TO USE IN TODDLER SEAT MODE

12. Remove the tray and stow the armrests.

Remove the harness by passing all of the harness straps back through the slots.

The product can now be used as a toddler seat for children from 12 months up to 15 kg.



TO FOLD THE PRODUCT

13. Press the folding buttons and draw the legs together.

General care:

- The correct use and maintenance of this product is essential.
- Always ensure the product is stored in a dry place to prevent mould or mildew developing.
- Avoid leaving your product in direct sunlight for prolonged periods of time as this may cause premature fading of colours.

Cleaning:

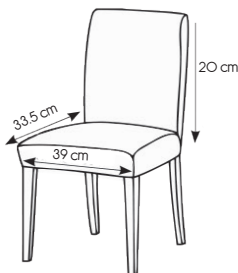
- Wipe with a damp cloth. Air dry. Do not immerse in water.

Maintenance:

- Check that nothing is broken, torn or missing and that no sharp edges have been exposed. Stop using the booster seat immediately if any are found.
- Check that all straps and harness attachment points are in good working order.
- Always use the restraint system and the chair attachment system
- Always check the security and the stability of the chair mounted seat before use (when in Booster Seat mode).
- Do not use replacement parts other than those approved by the manufacturer or distributor. Failure to do this may invalidate your warranty.

Manufactured by:

The Red Kite Baby Co Ltd. 35 Lavenham Road,
Beeches Industrial Estate, Yate, Bristol, BS37 5QX.
UK.



Safety Warnings:

- **WARNING:** Your child's safety is your responsibility.
- **WARNING:** Never leave the child unattended.
- Do not use until your baby can support their own head.
- Prevent falls, never use on any uneven or elevated surfaces e.g. tables or counter tops.
- Do not place or position the seat near any item which could present a danger of suffocation, strangulation, e.g. strings, blind/curtain cords, etc or falling objects.
- Do not place the seat near strong heat sources or in direct strong sunlight.
- Do not use in water or as a bath seat.
- Prevent serious injury or death. Do not use in a motor vehicle.
- Always use the restraint system and ensure it is correctly fitted.
- Do not use this product on stools or benches.

Floor Seat Mode:

- This product is intended for children able to sit unaided (minimum 6 months) and up to 36 months or a maximum weight of 15 kg.

Booster Seat Mode:

- This product is intended for children able to sit unaided (minimum 6 months) and up to 36 months or a maximum weight of 15 kg.
- Ensure that the adult chair with the chair mounted seat is placed in a position where the child is not able to use its feet to push against the table or any other structure as this can cause the tip over of the adult chair supporting the booster seat.
- Never carry the booster seat when the child is in it.
- Always check the security and the stability of the product on the adult chair before use.
- Always use the chair attachment system and ensure it is correctly fitted before use.

Toddler Seat Mode:

- This product is intended for children from 12 months and up to 36 months or a maximum weight of 15 kg.
- Ensure the harness and seat attachment belts are removed and stored away from babies and children when the product is in toddler seat mode.

red kite

