



## IMPORTANT KEEP FOR FUTURE REFERENCE

Read these instructions carefully before use and keep them for future reference.

Your child's safety may be affected if you do not follow these instructions.

### Instruction Leaflet

### Travel Booster



This product is intended for children able to sit unaided (minimum 6 months) and up to 36 months or a maximum weight of 15 kg.

Complies with BSEN 16120 + A2 : 2012 : 2016

Customer Care Line: 01454 326 568

Fig 1

IMPORTANT Booster seat is touching the back of chair

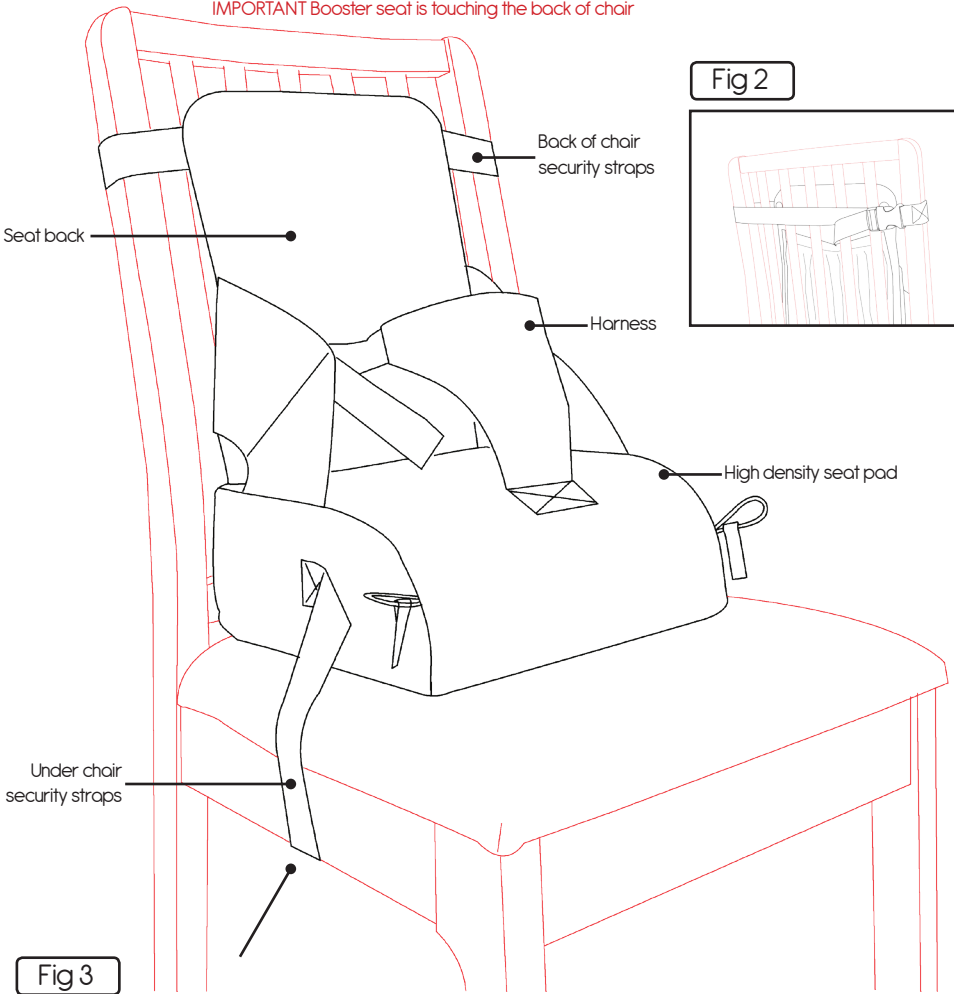


Fig 2

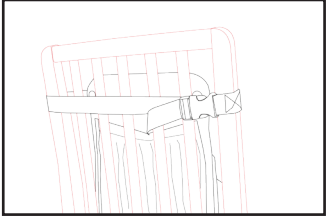


Fig 3

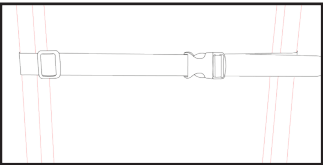
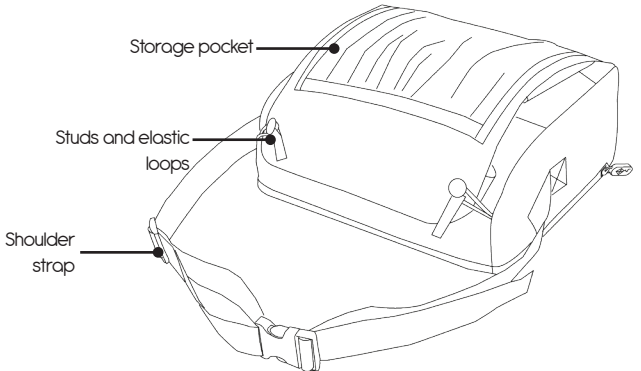
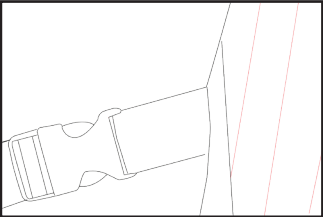


Fig 4



# Instructions for use

## To secure the booster to a chair

1. Place the booster centrally on to a chair that is standing firmly on level ground.

Fig 1.

2. Wrap the back of chair security straps around the back of the chair and connect the buckle. Pull the loose end of the strap to take up and slack.

Fig 2.

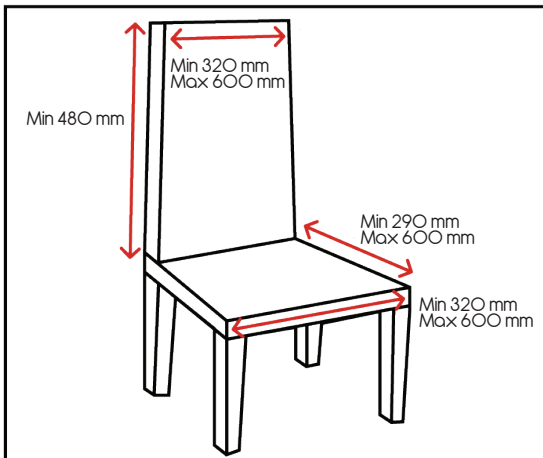
3. Wrap the under chair security straps around the bottom of the chair seat and connect the buckle. Pull the loose end of the strap to take up and slack.

Fig 3.

## To secure and adjust the harness

4. Undo both of the waist harness clips, pull the centre panel forward, place child in to the booster and reconnect both of the waist harness clips until it's a snug and comfortable fit.

## Minimum chair dimensions



**WARNING** Use only a full size adult chair with a back. Never use the booster seat on an unstable chair or on a stool or on a bench.

## General care:

- The correct use and maintenance of this booster seat is essential.
- Always ensure the booster seat is stored in a dry place to prevent mould or mildew developing.
- Avoid leaving your booster seat in direct sunlight for prolonged periods of time as this may cause premature fading of colours.
- Position the adult chair with the chair mounted seat placed in a position where the child is not able to use its feet to push against the table or any other structure as this can cause the adult chair supporting the chair mounted seat to tip over.

## Cleaning:

- Wipe with a damp cloth. Air dry. Do not immerse in water.

## Maintenance:

- Check that nothing is broken, torn or missing and that no sharp edges have been exposed. Stop using the booster seat immediately if any are found.
  - Check that all straps and harness attachment points are in good working order.
- Always use the restraint system and the chair attachment system.
- Always check the security and the stability of the chair mounted seat before use.
  - Do not use replacement parts other than those approved by the manufacturer or distributor.
- Failure to do this may invalidate your warranty.

## Safety Warnings:

- **WARNING:** Your child's safety is your responsibility.
- **WARNING:** Never leave the child unattended.
- This product is intended for children able to sit unaided (minimum 6 months) and up to 36 months or a maximum weight of 15 kg.
- Do not use until your baby can support their own head.
- Do not place the seat near strong heat sources or in direct strong sunlight.
- Do not place or position the seat near any item which could present a danger of suffocation, strangulation, e.g. strings, blind/curtain cords, etc or falling objects.
- Ensure that the adult chair with the chair mounted seat is placed in a position where the child is not able to use its feet to push against the table or any other structure as this can cause the tip over of the adult chair supporting the booster seat.
- Never carry the booster seat when the child is in it.
- Always use the restraint system and ensure it is correctly fitted.
- Always check the security and the stability of the product on the adult chair before use.
- Prevent falls, Never use on any uneven or elevated surfaces e.g. tables or counter tops.
- Always use the chair attachment system and ensure it is correctly fitted before use.
- Prevent serious injury or death. Do not use in a motor vehicle.
- Do not use in water or as a bath seat.
- Do not use this product on stools or benches.

Complies with BS EN 16120 : 2012 +A2 : 2016

For all technical queries please call:  
01454 326 568

Imported by:  
The Red Kite Baby Co Ltd  
35 Lavenham Road  
Beeches Industrial Estate  
Yate  
Bristol  
BS37 5QX.

**RedKite®**