

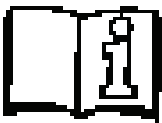
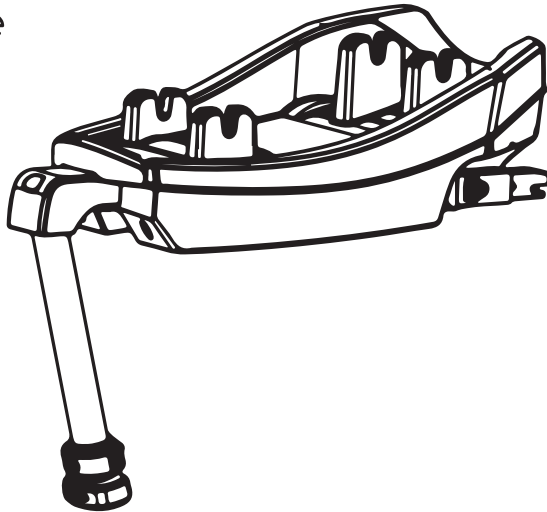
# red kite

## IMPORTANT

Keep these instructions for future reference. Your child's safety may be affected if you do not follow these instructions.

### Instruction Leaflet

i Dock  
ISOFIX Base



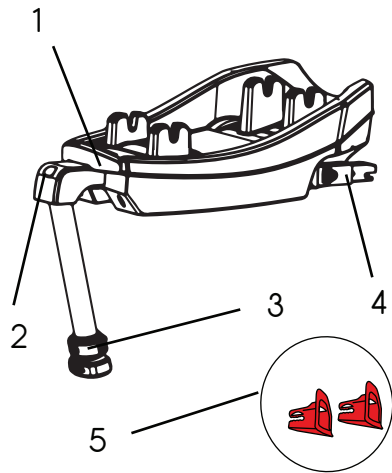
Approved to UN Regulation NO.129.03 standard for general use in vehicles and will fit most, but not all, vehicle seats

It is only safe to use the i Dock ISOFIX base can only be used with the Savanna i and Pace i car seat models.

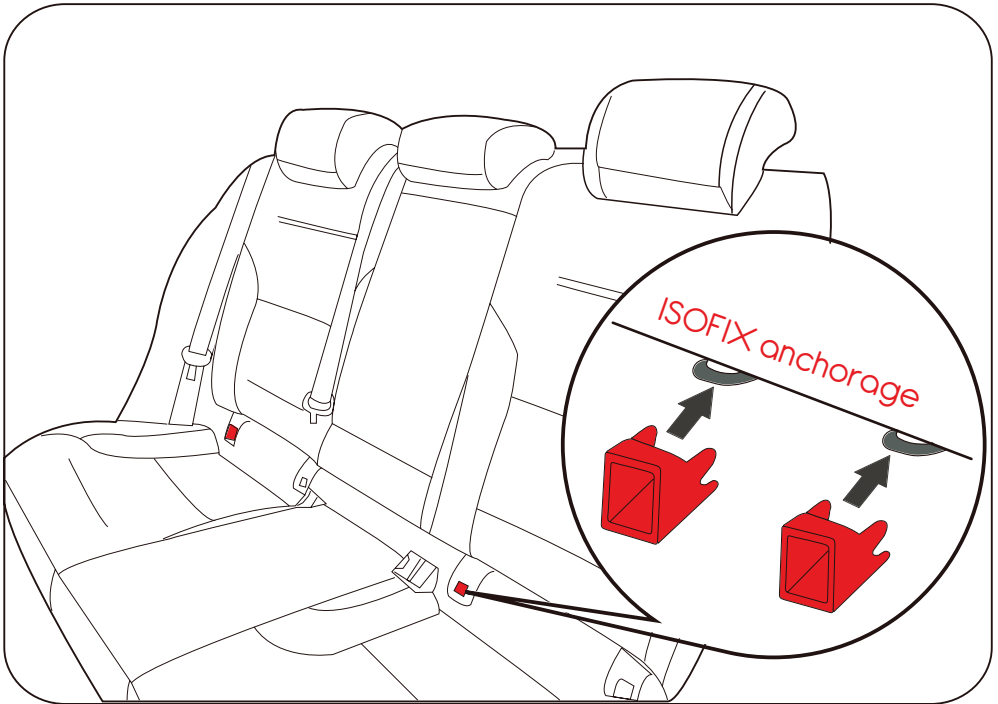
Rear Facing ISOFIX base: R129 Universal. i-Size.  
For infants up to 13kg. Category: 40 - 85 cm

## Parts list

1. Car seat release catch
2. Isofix points release button
3. Support leg adjusting button
4. Isofix locking points
5. Isofix locking guides



## Suitable locations for installation into the vehicle



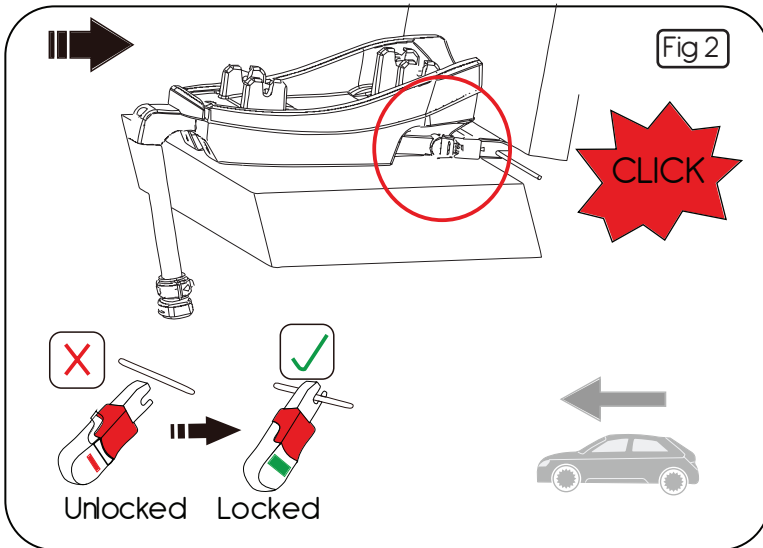
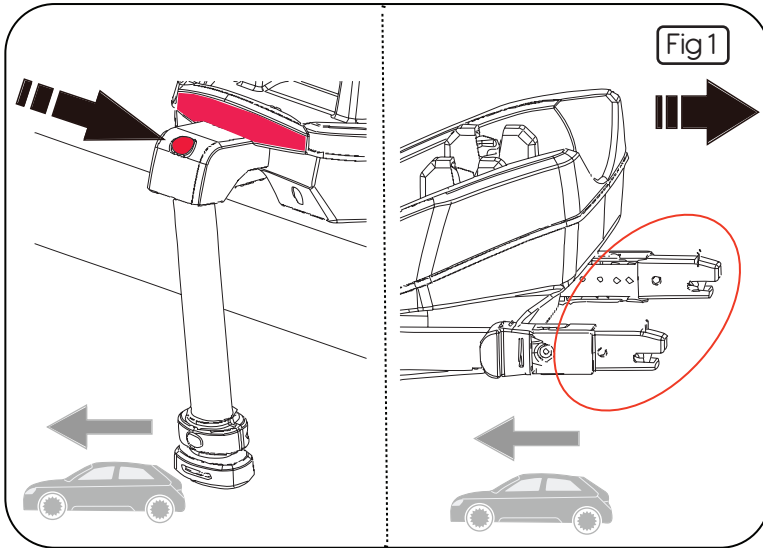
**WARNING!** Do not use in passenger seats equipped with an active air bag.

This ISOFIX base can only be installed in vehicles with ISOFIX points.

Install the ISOFIX locking guides on to the ISOFIX points. These will aid installation of the ISOFIX base.

**NOTE.** Some cars already have these fitted as standard.

# Installation into the vehicle



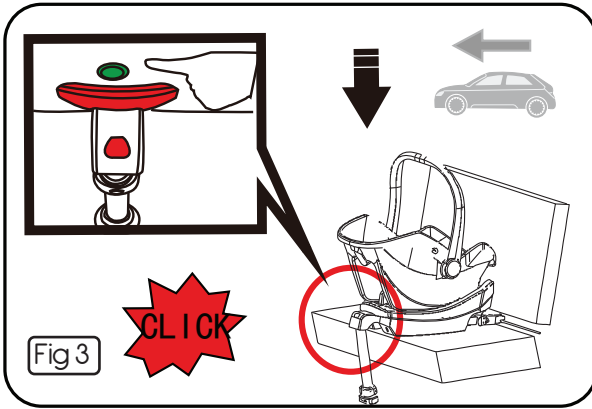
Unfold the leg from underneath the ISOFIX base.

Press in the small grey ISOFIX button on the front to extend both of the ISOFIX locking points. Fig 1.

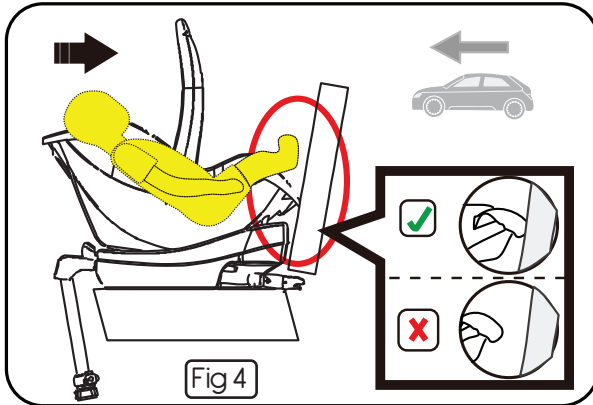
Pull back the black catches on each of the ISOFIX locking points to open the catch locks. You will notice the visual window is red. Push the ends of the ISOFIX locking points into the red guides. If seated correctly, you will hear the catches click onto the ISOFIX points on the seat and the visual locking window will now turn green. Fig 2.

Please ensure that the ISOFIX base is fully secure before fitting the car seat.

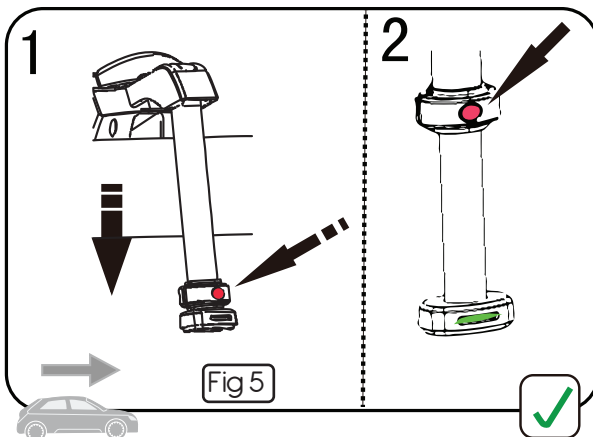
# Installation into the vehicle



Pull backwards on the car seat release catch to open the car seat securing locks. There is a window in front of the catch which will turn red when unlocked. The car seat has 2 bars underneath that need to lock into the ISOFIX base. Place the car seat into the base rear bar first and then the front bar. Push downwards to lock the car seat in place. There will be an audible click when this is seated correctly and the window in front of the catch will now turn green. Gently pull on the car seat to ensure it is locked in place. Fig 3.

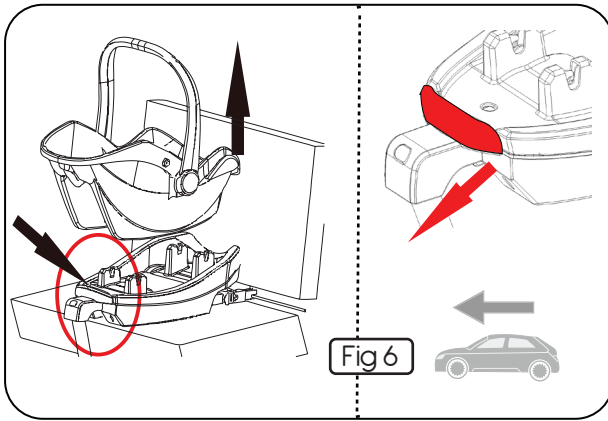


Press in the small ISOFIX release button and push forward on the car seat until it touches the back rest of the vehicle seat. Fig 4.

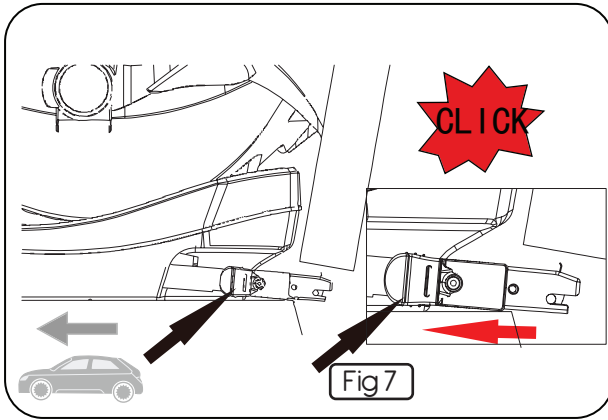


Press in the foot release button on the bottom of the leg to extend the foot until it is in contact with the floor of the vehicles footwell. Fig 5.

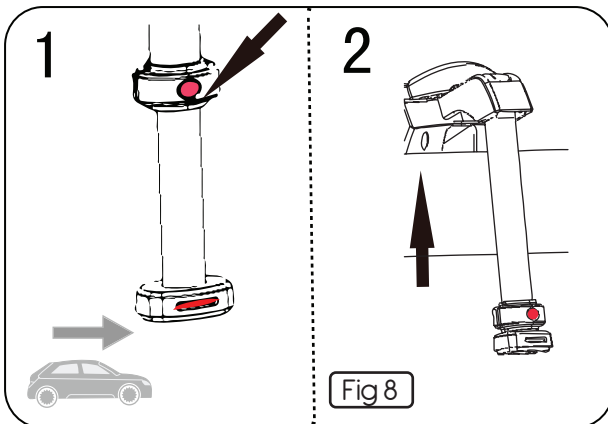
# To remove the car seat from the ISOFIX base and vehicle



Put the carrying handle of the car seat into the carrying position. Pull backwards on the Isofix lock catch until the window is showing red. You can now lift the car seat away from the base. Fig 6.



Pull sideways on the black ISOFIX points until the window is a red colour to unlock the Isofix base from your vehicles Isofix fixing points. You will hear an audible click when this is done correctly. Fig 7.



Press in the bottom on the leg and retract the foot. Fig 8.

# SAFETY INFORMATION

Read these instructions before fitting the ISOFIX base in your car so that you are familiar with it and avoid any potentially dangerous misuse.

The i Dock ISOFIX base complies with the new European regulation R129 i-Size.

i-Size aims to increase child safety in the car with ISOFIX installation, by supporting rearward-facing travel up to minimum 15 months and increasing protection for head and neck.

The i Dock ISOFIX base may only be used in combination with the Red Kite Savanna i and Pace i car seats.

For infants up to 13kg. Category: 40 – 85 cm

- The assembly and installation operations must be conducted by adults.
- Avoid inserting fingers into the mechanisms.
- Death or serious injury can result if this ISOFIX base is installed on seats with airbags.
- Eliminate danger by disabling airbags surrounding the position of the car safety seat.
- Do not use installation methods different from those indicated. This could result in the risk of detachment from the car seat
- Make sure that the ISOFIX base is protected from any mobile parts of the car seat or doors.
- Do not modify the product.

# MAINTENANCE

The base can be cleaned with a warm and mild soap detergent. Wipe dry with a cloth.

# WARNINGS!

- WARNING: Read the instructions carefully before use and retain for future reference. Failure to closely follow the installation instructions for the ISOFIX base will put your child at risk.
- WARNING: Install the car seat base only on a forward facing vehicle seat.
- WARNING: Never install the car seat in forward facing position onto the i Dock ISOFIX base in the car.
- WARNING: Do not install the i Dock ISOFIX with car seat on it in the area of airbag deployment.

For all technical queries please call: 01454 326 568

Manufactured by: The Red Kite Baby Co Ltd, 35 Lavenham Road, Beeches Industrial Estate, Yate, Bristol, BS37 5QX. UK

