

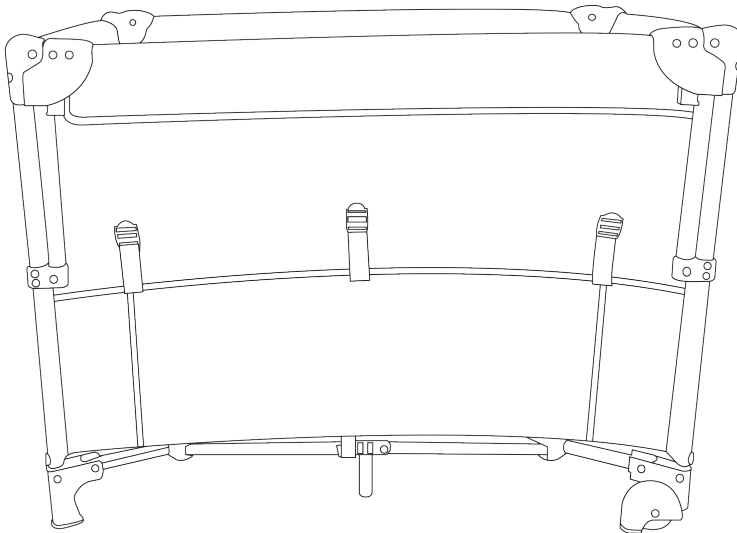


IMPORTANT, RETAIN FOR FUTURE REFERENCE: READ CAREFULLY.

Read these instructions carefully before use and keep them for future reference. Your child's safety may be affected if you do not follow these instructions.

Instruction Leaflet

Dreamer Bedside Crib



Bassinette: **WARNING!** Suitable for babies who cannot pull themselves up or sit unaided. Approx 0 – 4 months.

Suitable for babies from birth up to a maximum of 15kg in weight and who are unable to climb out.

Customer Care Line: 01454 326 568

To assemble the crib

1. Undo the Velcro straps to remove the mattress. Fig 1.
2. Make sure the base is in the upright position and then lift each of the side rails upwards until they lock in place. Fig 2.
3. Only when all four top rails are locked, push the base down. Fig 3.
4. Place the mattress inside the cot with the Velcro straps facing downwards. Fig 4.
5. Thread the straps through the slots and secure underneath. Fig 5.

To use the bassinette

6. Zip the liner in to the inside of the cot. NOTE: There are two separate zips. One zips runs around the two sides and the back and the front drop side zip is located below the level of the drop side rail. Ensure ALL zips are connected securely before each use

7. Thread the loop and eye of the zip through the split ring (fig 7a) and cover with the Velcro flap. Fig 7b.
8. Using a male and female support rods, insert them in to the base opposite each other and connect together. Fig 8.
9. Place the mattress inside and secure it to the liner with the velcro straps. Fig 9.

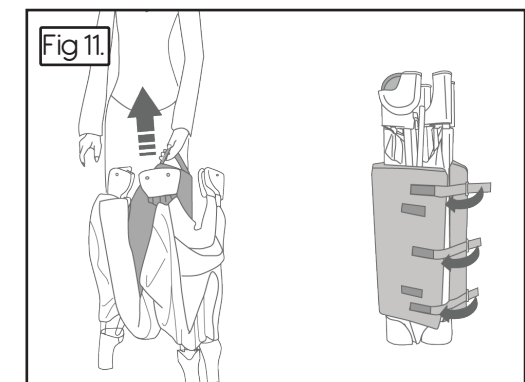
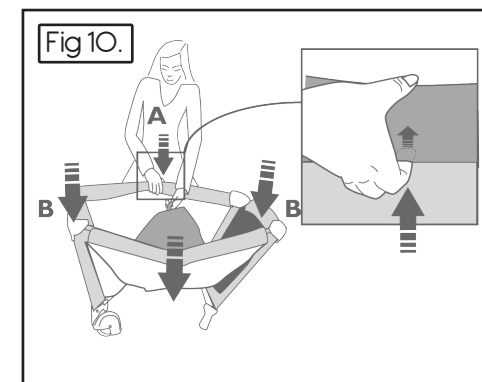
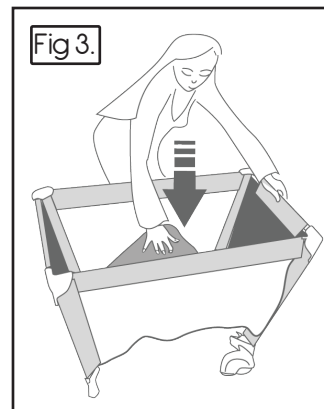
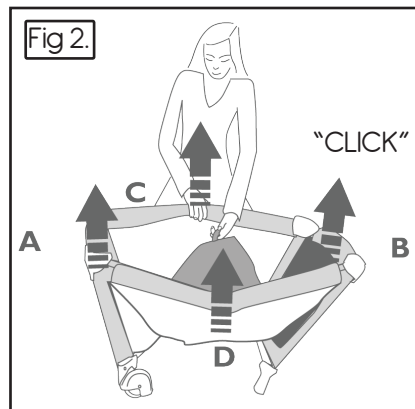
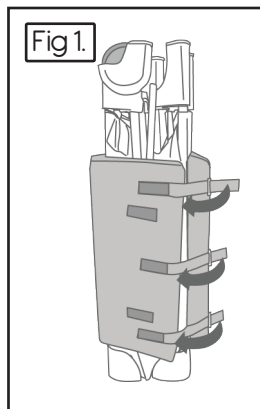
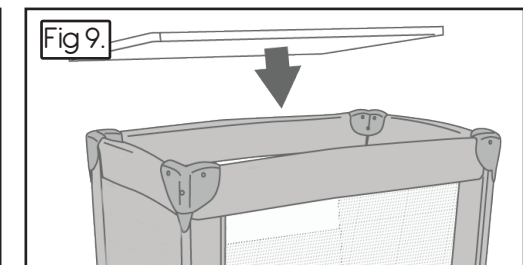
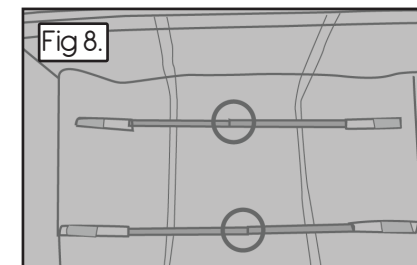
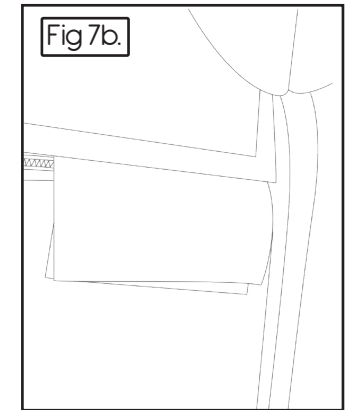
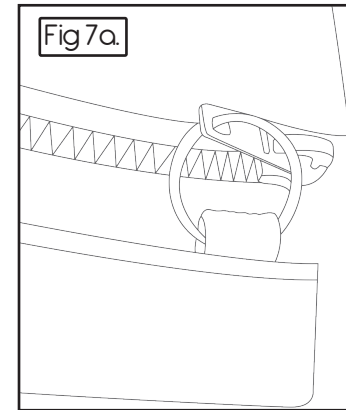
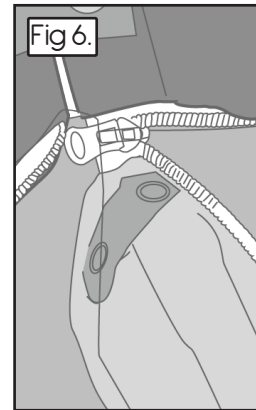
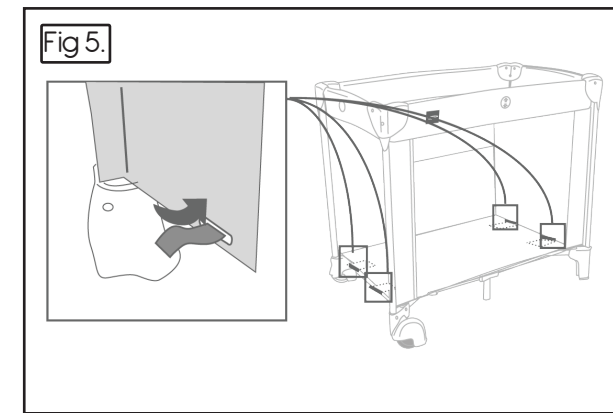
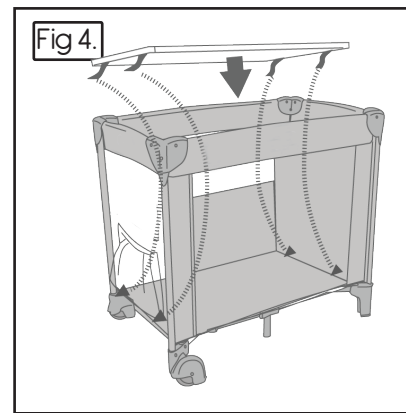
WARNING The lowest position for the mattress is the safest. The lowest mattress position should be used when the baby is able to support it's own weight or sit up.

To fold for storage

10. Remove the mattress and liner if used. Using the loop in the bottom centre of the cot, lift up as far as possible. Lift the side rails up and squeeze the unlocking button on the bottom of the rail. With the button held in, lower the rail downwards. Repeat for all side rails. Fig 10.
11. Whilst lifting the loop, pull all four corners together and then wrap the mattress around it and secure with the Velcro straps. Fig 11.

TIPS

Make sure you **DO NOT** push the base of the cot down before you lock the side rails.
Make sure you lift the base of the cot to its highest position before attempting to unlock the rails.



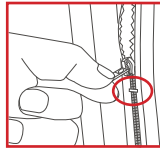
To use the drop side function

1. Undo the zips, squeeze the buttons on both sides and lower the rail until it locks in place. Figs 1a & 1b.
Thread the three straps under the mattress on to the buckles and pull tight. Fig 1c.

ATTENTION!

Do not force the zip all the way down.

It has been designed to stop here.



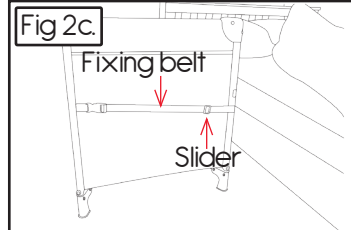
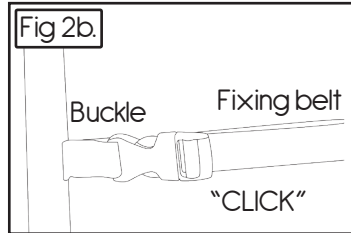
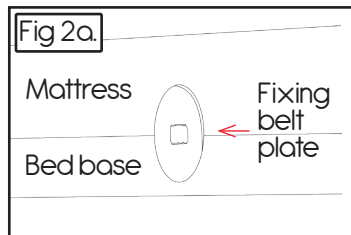
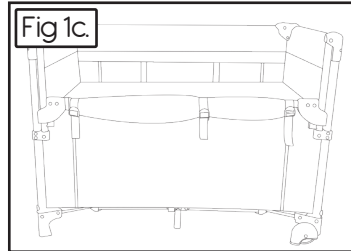
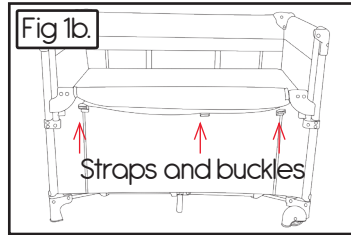
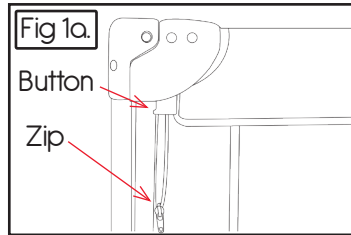
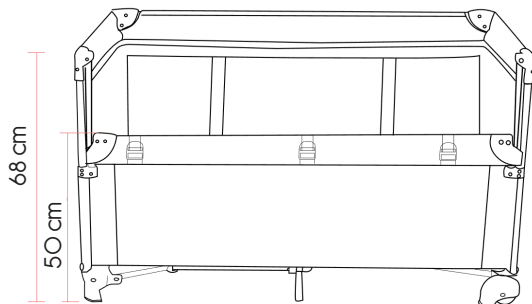
To use in bedside crib mode

2. Thread the fixing belt plate between the adult's mattress and pivot the plate so it lies flat against both the bed base and mattress. Fig 2a. Connect the ends of the fixing belts to the buckles on each end of the cot (Fig 2b) and pull tight by adjusting the sliding sliders. Ensure the cot is tight against the bed. Fig 2c.

Dreamer in bedside crib mode



The height of the parents mattress must be level or higher than that of the side of the cot.



WARNING!

Before every use always check to make sure there is no space between the parents mattress and the side of the co sleeper.
If any space is found, pull the belts firmly to tighten until there is no space left and the correct position has been restored.
Only suitable for beds with straight sides.
Not suitable for beds with round mattresses or water beds.
When the product is used in the bedside sleeping mode, it should always be fitted to the long side of the bed.
Do not fix the co sleeper to the head or bottom of the bed.
Never use the crib in co sleeping mode without the anchor plate.
Ensure the plates are securely attached to the adult bed.

Crib In Co Sleeper Mode:

DANGER! Always completely raise the drop side when not attached to the adult's bed.
WARNING – To avoid the risk of your child being strangled the attachment system to the adult's bed shall always be kept away from and out of the crib.

- SUFFOCATION HAZARD – INFANTS HAVE SUFFOCATED IN GAPS BETWEEN EXTRA PADDING AND SIDE OF BASSINET/CRADLE AND ON SOFT BEDDING.
- NEVER ADD A PILLOW, COMFORTER OR ANOTHER MATTRESS FOR PADDING.
- STRANGULATION/SUFFOCATION HAZARD: THE TOP EDGE OF THE LOWERING BAR MUST BE LEVEL WITH OR BELOW THE TOP OF THE ADULT MATTRESS WHEN USED AS THE BEDSIDE SLEEPER. THE LEVEL OF THE BEDSIDE SLEEPER BASSINET MATTRESS MUST BE A MINIMUM OF 10 CM BELOW THE TOP EDGE OF THE LOWERING BAR.
- ENTRAPMENT HAZARD – TO PREVENT DEATH FROM ENTRAPMENT, THE CO SLEEPER MUST BE PROPERLY SECURED TO THE ADULT BED USING THE ATTACHMENT SYSTEM
- STRANGULATION HAZARD: When the anchor plate and strap assembly are not in use, store in a safe place not accessible to children.

Check the tightness of the attachment system before each use by pulling the bedside sleeper away from the adult bed.

Gaps should not be filled with pillows, blankets or other items.

DO NOT allow children to climb or play on or under unit in any configuration.

FALL HAZARD: Remove infant from the bedside sleeper before starting any conversions.

- Before use in co sleeper mode (fixed to the bed), make sure the product is securely anchored and positioned.
- The crib should be locked in the fixed position when the child is left unattended.
- When the product is used in co sleeper mode (fixed to the bed), make sure the connection belts are locked and tensioned properly, before laying child in the sleeper. The co sleeper must be secured to the parents mattress and no gaps between the product and the adult mattress shall be present.
- Keep the fastening bells out of reach of children.
- Failure to follow these warnings and instructions could result in serious injury or death.
- Only use the attachment system supplied. Do not use another as it may not be suitable.
- Never use the crib in co sleeper position without the anchor plate attached and locked as shown in the instructions. Failure to use this anchoring system could result in serious injury or death to the infant. Make sure all straps are secured and tight.
- To reduce the risk of SIDS, pediatricians recommend healthy infants be placed on their backs to sleep, unless otherwise advised by your physician.

• A co sleeper is designed to provide a sleeping area for an infant until he or she begins to push up on hands and knees or approximately 5 months of age. Move your child to another sleeping product when your child reaches this stage.

• NEVER raise the level of the bedside sleeper bassinet mattress.

Make sure all straps are secured and tight when used in the bedside sleeper position. Tighten straps periodically.

• NEVER leave your infant in the product without the TOP HORIZONTAL RAIL installed in the upper most position, unless securely attached to the adult bed. Failure to use this securing system will allow the bedside sleeper to move away from the adult bed and could result in the infant falling out of the bedside sleeper bedside bassinet.

• Always make sure all top and bottom rails are securely locked, in all configurations, before putting an infant child into the unit.

• To prevent serious or fatal injury from falls always keep child within arms reach.

Crib In Travel Cot Mode

Bassinette Information:

WARNING! Suitable for babies who cannot pull themselves up or sit unaided. Approx 0 – 4 months.

WARNING! Do not use the bassinette when the child can sit or kneel or pull itself up.

WARNING! Remove all parts of the bassinette before using the cot in its lowest position.

The lowest position is the safest and the base should always be used in that position as soon as the baby is old enough to sit up. The bassinette is suitable for babies who cannot pull themselves up or sit unaided.

The travel cot base without the bassinet is the safest option and the child must be placed in this lowest position once it can pull itself up or sit unaided.

Extra Information:

Unlike cots that have rigid sides the Dreamer travel cot has flexible sides. As a result the mattress is specially designed to prevent a suffocation hazard. The mattress has a solid base, a specific length and width and is less than 25mm thick in order to meet the relevant safety standards. Using a thicker or differently sized mattress may allow a child's head to get between the mattress and the side of the travel cot causing suffocation. The mattress size used on this product is 850mm x 540mm x 20mm.

Do not use for a child that is able to climb out, reaches 86 cm in height or weighs more than 15kgs. (Whichever is first).

Intended for use by children under 3 years of age.

Never allow other children to play with the product. The travel cot is designed for baby whilst sleeping not as a restraint device.

Mattress complies with BSEN 16890:2017

Safety warnings:

WARNING! Your child's safety is your responsibility.

WARNING! Only use the mattress sold with this cot, do not add a second mattress on this one, suffocation hazards.

WARNING! Be aware of the risk of open fire and other sources of strong heat, such as electric bar fires, gas fires, etc. in the near vicinity of the cot.

WARNING! Do not use the cot if any part is broken, torn or missing and use only spare parts approved by the manufacturer.

WARNING! Do not leave anything in the cot or place the cot close to another product, which could provide a foothold or present a danger of suffocation or strangulation, e.g. strings, blind/curtain cords, etc.

WARNING! Do not use more than one mattress in the cot.

WARNING! Do not use your travel cot without the mattress.

Do not leave a child unattended in this product. Always keep your child in view.

Ensure that the product is correctly assembled before use; with the top bars locked straight, the centre foot firmly on the ground and the mattress in position.

The travel cot is ready for use only when the locking mechanisms are engaged. Check carefully that they are fully engaged before using the travel cot.

Use only the mattress supplied with this product and ensure it remains in position.

If you leave the child unattended in the cot, always ensure that the moveable side is closed.

To prevent injury from falls, the travel cot should not be used when a child is able to climb out.

Do not use pillows.

Do not allow a child to lift the sides of the mattress up.

Position the product on a level and stable surface

Keep the product away from trailing cords and flexes.

This travel cot is designed for convenient limited use, it is not designed to replace a cot on a long term basis.

Do not use for more than one child at a time.

General Care:

This product has been designed and developed with safety, comfort and functionality in mind. Please take the time to read this manual carefully before using this product and keep it in a safe place for future reference.

• Do not use excessive force when adjusting the product.

• Always store the product in a dry place.

• The correct use and maintenance of this product is essential.

• Only use the mattress provided. The maximum internal size of the cot the mattress is designed for is 865x 550 mm. There must not be more than 30mm gap between the mattress and the sides and ends of the cot.

• Keep the fastening belts away from the reach of children.

Cleaning:

• Fabrics and the mattress may be spot cleaned by using a sponge with a mild soap and warm water solution. Leave to dry in a ventilated area away from direct sunlight. Do not dry clean, machine wash, bleach or tumble dry.

• Metal parts may be cleaned with a damp cloth. Always wipe dry.

• Clean plastic parts with a mild soap and warm water solution.

• Avoid leaving the product in direct sunlight for prolonged periods of time as this may cause fabrics to fade.

Maintenance:

• Check that nothing is loose or broken and that no sharp edges have been exposed. Replace any damaged parts immediately.

• Routinely inspect all studs, nuts and screws for tightness. Do not use replacement parts other than those approved by the manufacturer or distributor. Failure to do this may invalidate your warranty.

• DO NOT use crib if any parts are missing, damaged, or broken. Contact Red Kite for replacement parts and instructional literature if needed. DO NOT substitute parts. Only use spare parts approved by the manufacturer.

• All assembly fittings should always be tightened properly and fittings should be checked regularly and retightened as necessary.

Safety warnings:

• **WARNING!** Do not use this product without reading the instructions first.

WARNING! – Stop using the product as soon as the child can sit or kneel or pull itself up.

WARNING! – Do not place additional items (e.g. toys, pillows...) in the product.

WARNING! – Do not place the product close to another product, which could present a danger of suffocation or strangulation, e.g. strings, blind/curtain cords, etc.

WARNING! – Do not use more than one mattress in the product.

• **WARNING!** – Be aware of the risk of burning cigarettes open fire and other sources of strong heat, such as electric bar fires, gas fires, etc. In the near vicinity of the crib.

• **Crib mode:** This product is intended for one child weighing up to a maximum of 9kg.

• When a child is able to sit, kneel or to pull itself up, the crib shall not be used anymore for this child.

• Children should not be allowed to play unsupervised in the vicinity of a crib.

• The crib should be locked in the fixed position when in use.

• Do not use the product if any part is broken, torn or missing.

• The thickness of the mattress chosen shall be such that the internal vertical height (surface of the top of the mattress to the upper edge of the bed sides) is at least 200mm in the highest position of the bed base. Do not use more than one mattress in the crib.

• The product must always be placed on a horizontal surface.

Never leave the product on an inclined surface with the child inside of it.

• Keep the fastening belts away from the reach of children.

• Do not leave any object inside the product that could reduce its depth.

• Do not position the crib near walls and obstacles to prevent trapping hazards.

• Do not leave small objects inside the product to prevent choking hazards.

• Do not adjust or move the product with the child inside.

• Do not use the product with more than one child at a time.

• The product must be kept away from electric cables and cords.

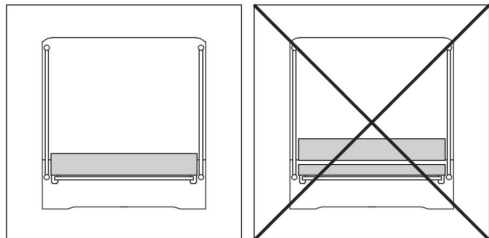
Do not place the product near windows where cords, curtains or similar objects could pose choking or strangling hazards for the child.

• All assembly fittings should always be tightened properly and that care should be taken that no screws are loose as a child could trap parts of the body or clothing (e.g. strings, necklaces, ribbons for babies dummies, etc), which would pose a risk of strangulation.

• Do not use the body of the crib without its frame.

• Always use the crib with the drop side rail in place.

✗ Additional mattress



• For all technical queries please call: 01454 326 568

• Imported by:

The Red Kite Baby Co Ltd
35 Lavenham Road
Beeches Industrial Estate
Yate
Bristol
BS37 5QX.