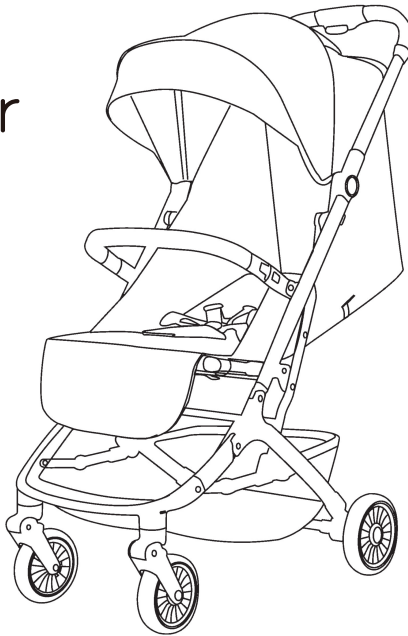


red kite

IMPORTANT – READ CAREFULLY
AND KEEP FOR FUTURE REFERENCE

Instruction leaflet

Push Me Explor
Compact Stroller

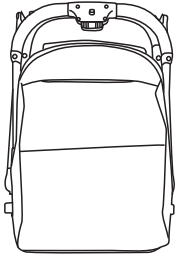


EN1888-2:2018

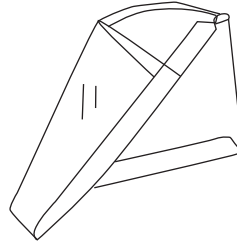
Intended for children from birth up to 22kg or 4 years whichever come first

Customer Care: www.redkitebaby.com

Parts List



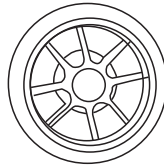
Frame & basket



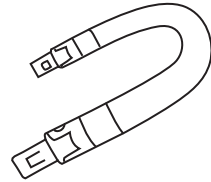
Raincover



Front wheel x 2



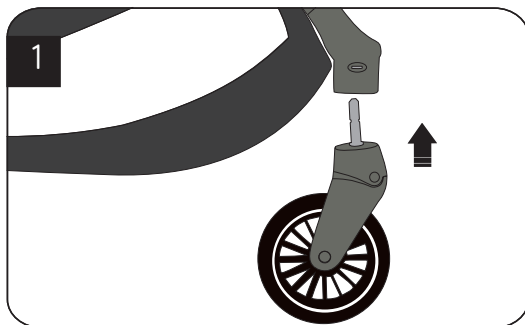
Rear wheel x 2



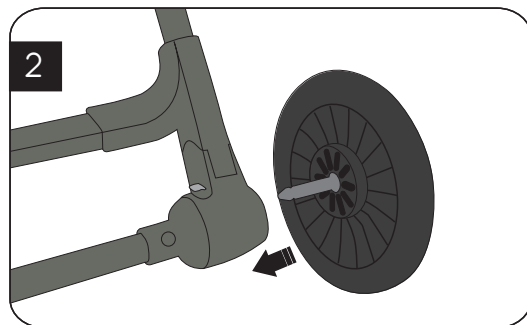
Bumper bar

Assembly

Step 1 Wheel assembly

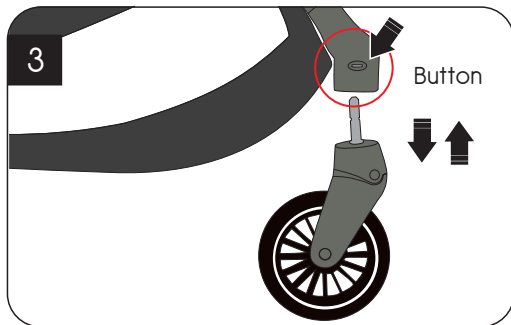


Insert the stem of the front wheel into the hole on the front of the frame until it clicks in place. Fig 1.

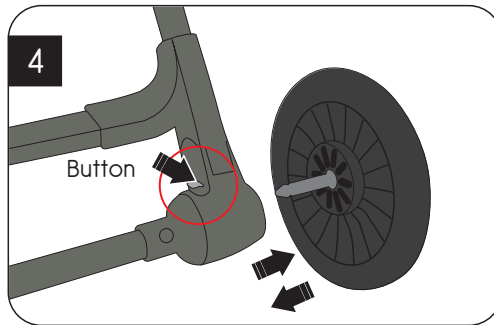


Insert the stem of the rear wheel into the hole on the ends of the axle/break unit until it clicks in place. Fig 2.

NOTE. Before use, pull gently on the wheels to ensure they are safely locked in place.

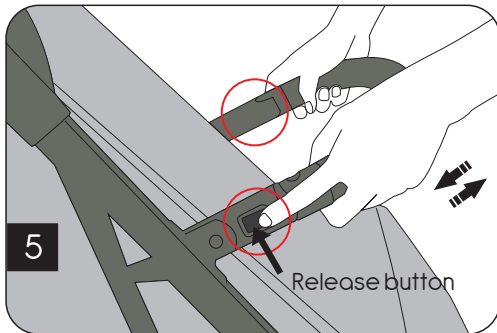


Press the button and pull the wheel away from the frame to remove the front wheels. Fig 3.



Pull the clip and pull the wheel away from the frame to remove the rear wheels. Fig 4.

Step 2 Front bumper assembly

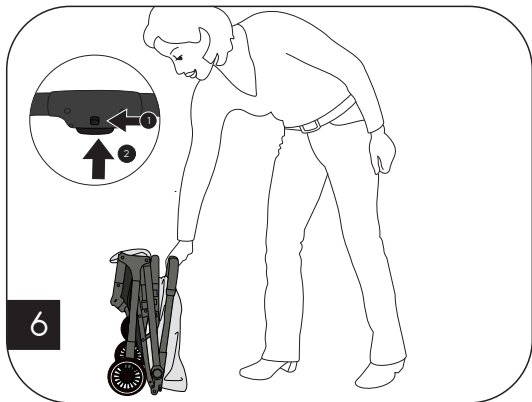


Align the ends of the bumper bar with the brackets on the frame and push inwards until it clicks in place.

To remove the bumper bar, press the buttons on each side of the bar and pull away from the frame. Fig 5.

Usage

Unfolding

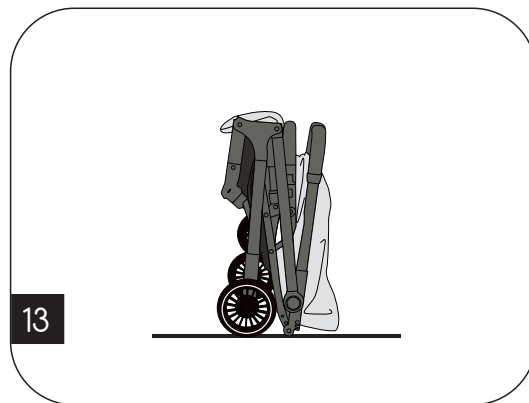


Press in the small button [1] and then squeeze trigger [2] to unlock the frame. Fig 6.

Once the frame starts to open, lift it upwards in one fluid movement until the frame locks in place. Figs 7 - 9.

WARNING Ensure that all the locking devices are engaged before use.

Folding

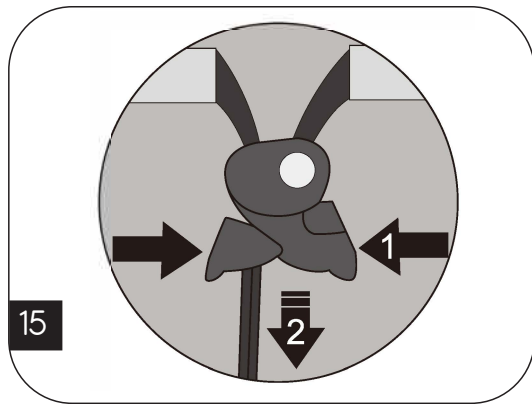


Press in the small button [1] and then squeeze trigger [2]. Fig 10.

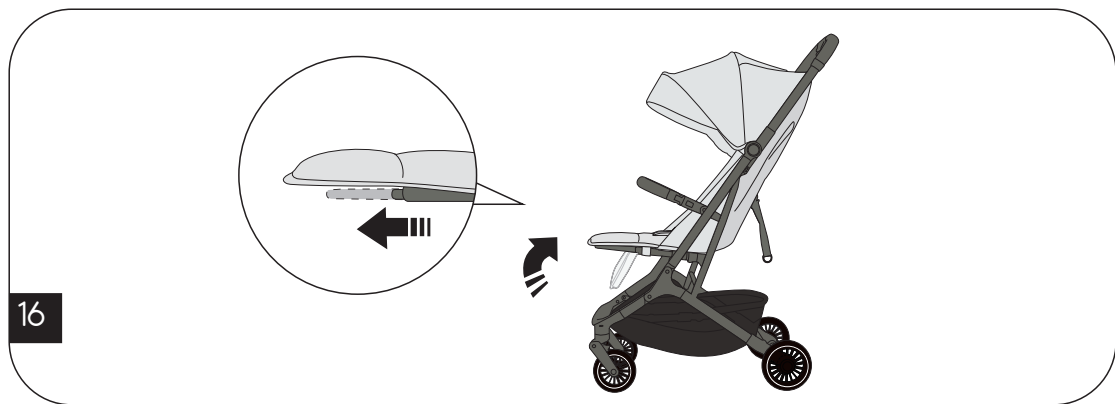
Push the handle away from you and the stroller will fold down. Figs 11 - 13.

WARNING To avoid injury ensure the child is kept away when unfolding and folding this product.

To adjust the seat



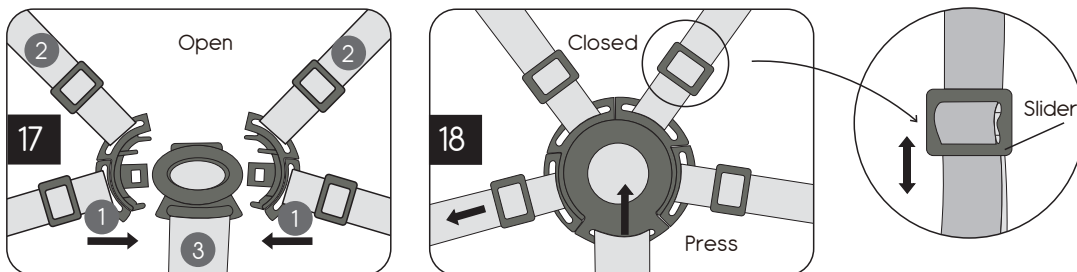
To adjust the leg rest



To recline the seat, pull down on the clip on the back of the seat unit until desired position is achieved. To raise the seat, hold the end of the strap, squeeze the clip and push forward on the back of the seat unit. Figs 14 & 15.

To adjust the leg rest, lift the end of the seat fabric and extend the bar. Fig 16.

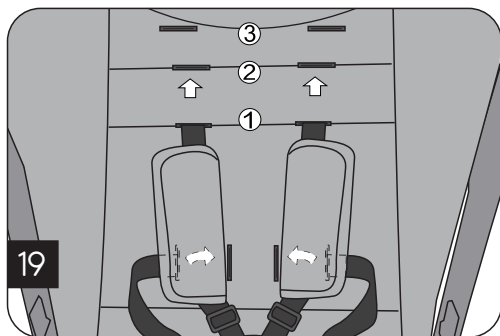
To secure and adjust the harness



Insert waist strap [1] into shoulder strap [2] and then insert the combined section into crotch strap buckle [3]. Fig 17.

Press the central release button on the crotch strap to undo the harness. Adjust each of the sliders on the harness straps so it fits the child correctly. Fig 18.

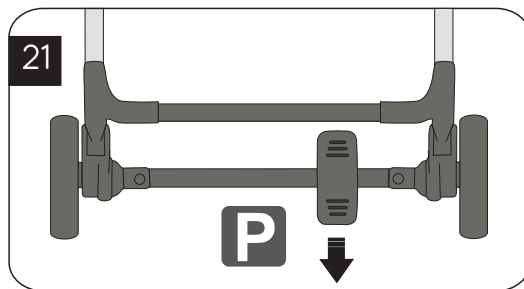
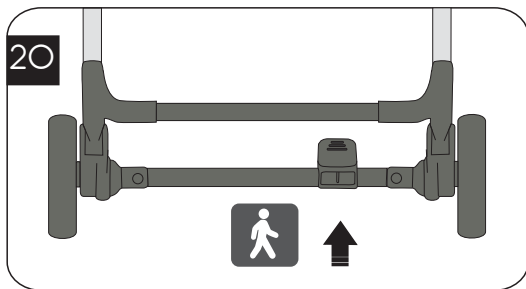
The shoulder straps can be adjusted to 3 different positions. Locate the buckle ends on the back of the seat unit and push them through the slots in the seat. Select new position and re-thread the straps through the seat. Fig 19.



WARNING Always use the restraint system.

WARNING For babies aged 0 - 6 months the harness must be fed through the holes to prevent risk of strangulation.

To operate the brakes



Push forward on the brake pedal to release the brakes and push downwards on the brake pedal to engage the brakes. Figs 20 & 21.

WARNING Apply all the brakes whenever you park the stroller.

To attach the raincover

Thread the back of the rain cover between the handle and the hoods. Secure in place using the Velcro points on the sides and the wrap the front Velcro straps around the bottom of the front legs.

Care instructions

General care:

- The correct use and maintenance of this stroller is essential.
- Do not use excessive force when folding the stroller. If you are having problems, fully open the stroller and repeat the folding procedure.
- Always let wheels down as gently as possible when mounting and dismounting kerbs.
- Always fold the stroller when going up or down stairs. Never bump the stroller over these or similar obstacles.
- In some climates mould and mildew can affect the fabric and rain cover. To avoid this, do not fold the stroller when it is wet. Leave it open in a ventilated area until completely dry.
- Always store the stroller in a dry place.
- When storing the stroller in the car, never place other items on top of it.
- Do not exceed the maximum load of 2 kg in the shopping basket. [Where provided].

Cleaning:

- Fabric covers and trims may be spot washed using mild detergent and warm water. Leave to dry in a ventilated area away from direct sunlight.
- Avoid leaving the stroller in direct sunlight for prolonged periods of time as this may cause fabrics to fade.
- Do not dry clean, machine wash or tumble dry.
- Metal parts may be cleaned with a damp cloth and wipe dry.
- Clean plastic parts with a mild soap and water solution and wipe dry.

Maintenance:

- Maintain the stroller by lubricating all metal moving parts with a silicone based lubricant. Do not use heavy machine oil or grease as this can attract dirt or grit.
- Check that nothing is loose or broken and that no sharp edges have been exposed. Inspect all joints and the harness, replace any damaged parts immediately.
- Inspect any nuts and bolts regularly to ensure none have worked loose. Tighten as necessary.
- Only use replacement parts and accessories that have been approved by the manufacturer. Failure to do this may invalidate your warranty.

Safety information

Safety warnings:

- WARNING Never leave the child unattended.
- WARNING Ensure that all the locking devices are engaged before use.
- WARNING To avoid injury ensure the child is kept away when unfolding and folding this product.
- WARNING Do not let the child play with this product.
- WARNING Always use the restraint system.
- WARNING This product is not suitable for running or skating.
- WARNING The child's safety is your responsibility.
- WARNING Any load attached to the handle affects the stability of the stroller.
- This stroller is designed for one child only.
- The brake must always be engaged when placing and removing children from the stroller.
- Any load attached to the handle and / or on the backrest and/or on the sides of the vehicle will affect the stability of the stroller.
- Do not attach a buggy board or similar product for a child to ride on.
- Lift a child in and out of the stroller. Do not allow a child to stand on the footrest or seat.
- Do not use accessories that have not been approved by the manufacturer.
- Never use the stroller to carry a child up and down stairs or escalators. Remove the child and fold the pushchair when going up or down stairs / escalators.
- For newborns, it is advisable to use the seat units in the fully reclined position.
- Not suitable for use on the beach. Sand will damage the wheel bearings and make the product hard to use.

Using Your UPF 50+ Hood Safely:

- The hood fabric provides UPF 50+ protection only where it shades the child.
- Exposed skin is not protected and may still be affected by UV radiation.
- UV rays can reflect off surfaces such as water, sand, snow, and pavements, increasing exposure.
- Protection may vary depending on the sun's position, time of day, and hood positioning.
- Always use additional sun protection, such as sunscreen, protective clothing, and hats.
- Ensure the hood is fully extended and correctly positioned for maximum shade.
- Check your child regularly for signs of sun exposure or overheating.

Manufactured by:

The Red Kite Baby Co Ltd. 35 Lavenham Road, Beeches Industrial Estate,
Yate, Bristol, BS37 5QX. UK.

Authorised Representative:

Mum n Me. Trig is-Sug, Zejtun, ZTN1420. Malta